

# 4K & 8K Satellite Broadcasting ISDB-S3 Modulator

MR7000X



4K · 8K



4K & 8K TV production line



4K & 8K in Airport & HOTEL & Hospital

Corresponding to 4K & 8K Satellite Broadcasting(Japan)  
Modulate TLV-MMT signal to ISDB-S3 and output to any channel of BS/CS-IF  
For testing of 4K & 8K TV production line and verification of TLV-MMT

## Features

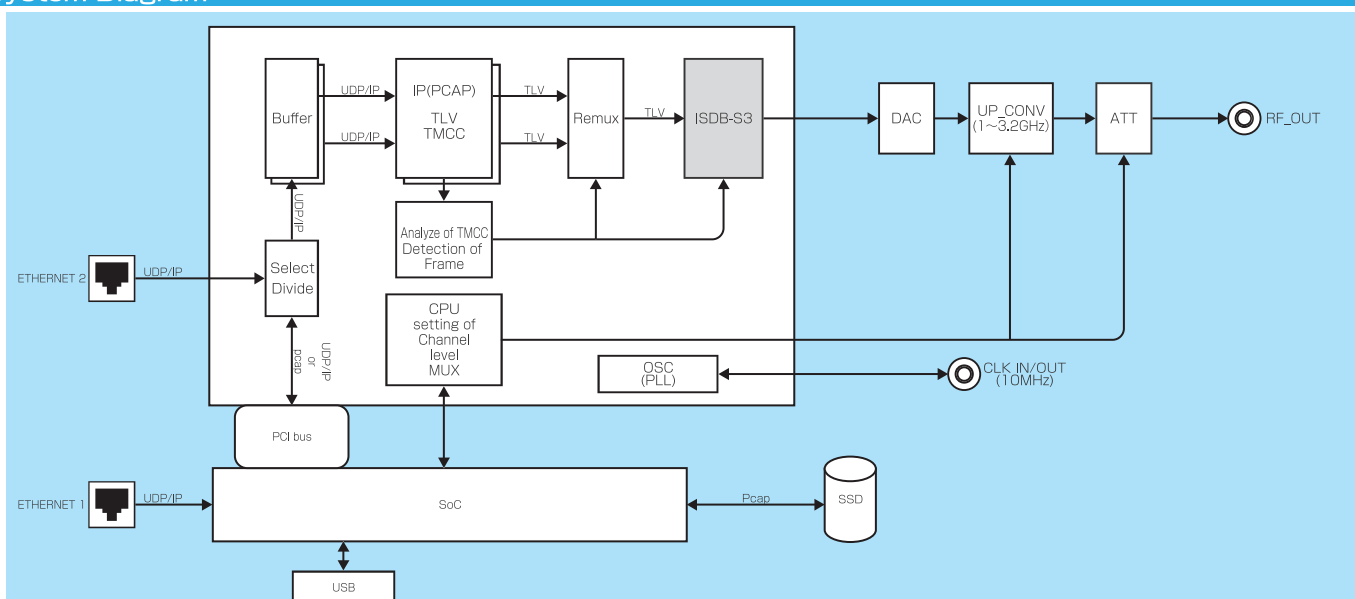
- Output to any channel of BS-IF/CS-IF.
- Built in SSD for save and replay the TLV-MMT streams.
- Signal source are selectable. Internal replay(SSD) or UDP/IP Stream input (Ethernet).
- Automatically set the modulation parameters by TMC-C (BS-Compound stream).
- Also Single-TLV Streams are available.
- ALL of settings can be operated by the front panel.
- Selectable Reference Clock. Master or Slave.
- Compact dimension. EIA 1U half size.

## Specifications

◆Channel Coding Scheme	
Standard	ARIB STD-B44
Modulation Scheme	16APSK/ 8PSK/ QPSK/ $\pi/2$ BPSK
Coding Rate	1/3,2/5,1/2,3/5,2/3,3/4,7/9,4/5,5/6,7/8,9/10
Symbol Rate	33.7561Mbaud
Maximum Bit Rate	117Mbps
Roll-off Factor	0.03
◆RF OUT	
Output Frequency	BS-1~23(1049.48~1471.44MHz) BS-2~24(2241.66~2663.62MHz) ND2~24(1613~2053MHz) ND1~23(2766~3206MHz)
Output Level	70~100dB $\mu$ V.0.1dB step
Output Impedance	75 $\Omega$
Connector	F style / 1 pin

◆Ethernet 1	
Interface	1000BASE-T
Connector	RJ-45(TCP/IP UDP/IP)
◆Ethernet 2	
Input Signal Source	Compound-TLV/ Single-TLV
Interface	1000BASE-T
Connector	RJ-45 (UDP/IP)
◆SSD	
Disk	128GB
◆Power Supply	
AC Power	AC100-240V 50/60Hz
◆Chassis	
Dimensions	213(W) $\times$ 40(H) $\times$ 350(D)mm ※Excluding projections
Weight	Approximately 3.0kg

## System Diagram



宇宏企業股份有限公司

台北：三重市重新路五段609巷16號6樓之1  
TEL:02-22782269 FAX:02-22782059  
新竹：新竹縣竹北市台元26號4樓之10  
TEL:03-552-6779 FAX:03-552-6739

蘇州：江蘇省蘇州市姑蘇區西環路3068號芯谷·瑞領金融創新服務產業園1號樓411室  
TEL:0512-65236999 FAX:0512-65235999  
Home page: www.radiotek.com.tw  
E-mail: salesmag1@radiotek.com.tw